

THIS DRAWING IS UNPUBLISHED.

RELEASED FOR PUBLICATION

© COPYRIGHT - By -

ALL RIGHTS RESERVED.

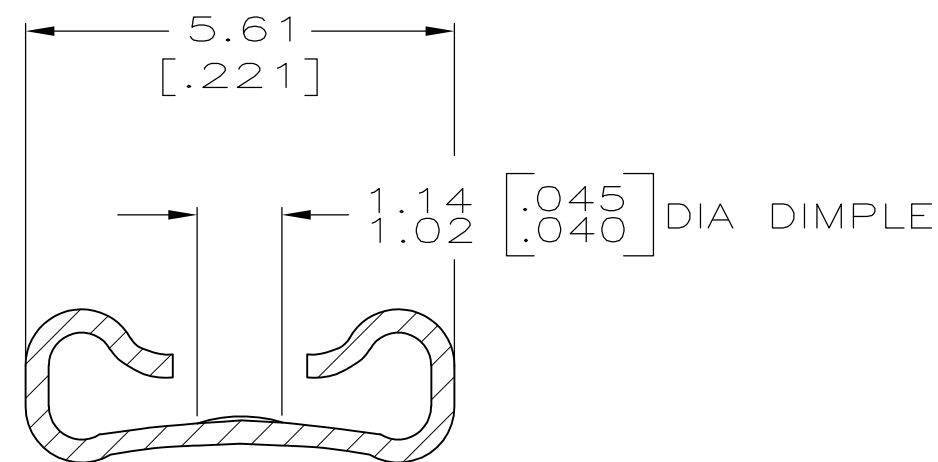
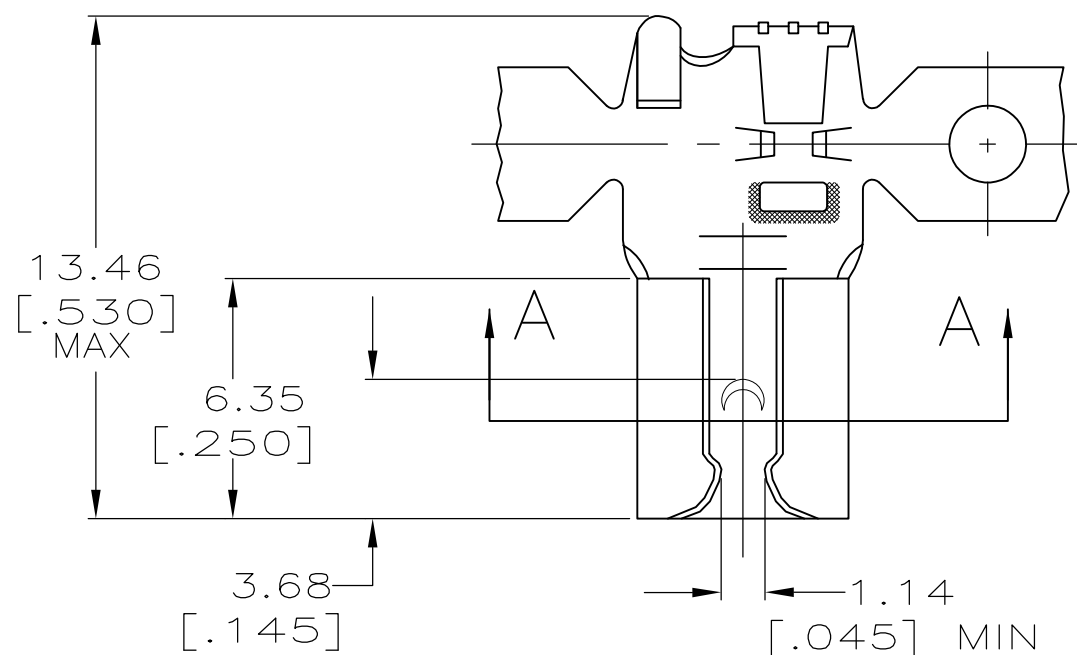
LOC  
AF

DIST  
50

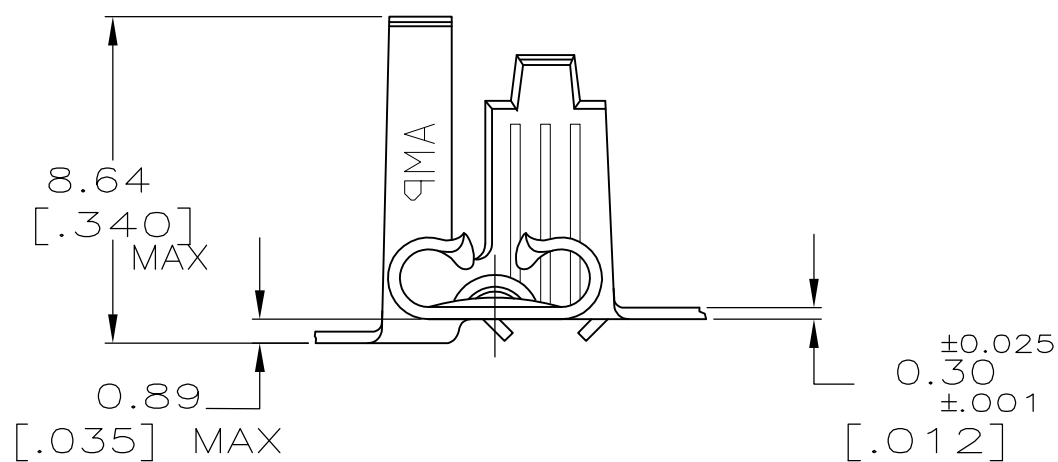
REVISIONS

P	LTR	DESCRIPTION	DATE	DWN	APVD
	F	REVISED PER ECR-12-013459	28NOV2012	KH	PD


- 1 CONTINUOUS STRIP ON REELS.
- 2 MATING TAB THK IS  $0.51 \pm 0.025$   $[\cdot 020 \pm \cdot 001]$ .
- 3 WIRE SIZE IS  $\#[20-16]$  AWG
- 4 INSULATION RANGE IS 2.79-4.32  $[\cdot 110 - \cdot 170]$  DIA.



SECTION A-A  
SCALE 10:1



TIN	61029-2
-	61029-1
FINISH	PART NO.

THIS DRAWING IS A CONTROLLED DOCUMENT.		DWN JR RUTH 1/9/97	 TE Connectivity														
DIMENSIONS: mm [INCHES]		CHK MS FEHER 1/9/97															
TOLERANCES UNLESS OTHERWISE SPECIFIED:		APVD P DESANTIS 1/9/97	NAME RECEPTACLE, FASTON, 4.75 [.187] SERIES														
<table border="0"> <tr> <td>0 PLC</td><td>± -</td> </tr> <tr> <td>1 PLC</td><td>± -</td> </tr> <tr> <td>2 PLC</td><td>± 0.38 [.015]</td> </tr> <tr> <td>3 PLC</td><td>± -</td> </tr> <tr> <td>4 PLC</td><td>± -</td> </tr> <tr> <td>ANGLES</td><td>± -</td> </tr> </table>		0 PLC	± -	1 PLC	± -	2 PLC	± 0.38 [.015]	3 PLC	± -	4 PLC	± -	ANGLES	± -	PRODUCT SPEC -	RESTRICTED TO -		
0 PLC	± -																
1 PLC	± -																
2 PLC	± 0.38 [.015]																
3 PLC	± -																
4 PLC	± -																
ANGLES	± -																
MATERIAL BRASS		FINISH SEE TABLE	APPLICATION SPEC -	SIZE A3	CAGE CODE 00779												
CUSTOMER DRAWING			DRAWING NO C-61029	SCALE 5:1	SHEET 1 OF 1												
			WEIGHT -	REV F													